




13 801 660

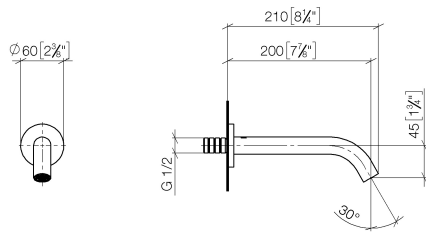


- 200mm projection
- circular normal flow
- rosette Ø 60 mm
- hole diameter 37 mm
- 1/2" connection
- max. flow 24.6 l/min at 3 bar flow pressure

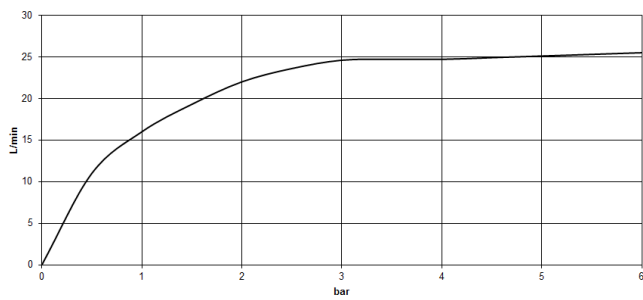
	Brushed Chrome	13 801 660-93
	Chrome	13 801 660-00
	Brushed Platinum	13 801 660-06
	Dark Chrome	13 801 660-19
	Light Gold	13 801 660-26
	Brushed Light Gold	13 801 660-27
	Matte Black	13 801 660-33
	Brushed Bronze	13 801 660-42
	Brushed Champagne (22kt Gold)	13 801 660-46
	Champagne (22kt Gold)	13 801 660-47
	Brushed Dark Platinum	13 801 660-99

13 801 660

mm [inches]



Flow rate chart

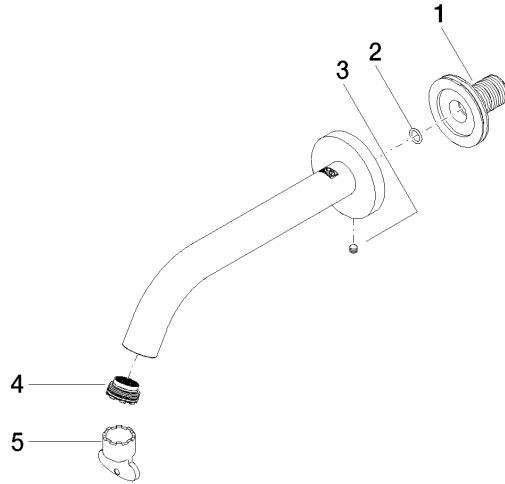


Certificates

IAPMO_4976 (2). WRAS_2001010. LGA_18245.

13 801 660

Parts for other finishes can be found here: [Chrome](#)



Spare parts list

No.	Item Number	Name	Quantity used	Delivery time
1	90 24 03 280 00 90	nipple	1	2
2	90 14 10 060 00 90	seal	1	2
3	90 31 11 112 00 90	pin	1	2
4	09 29 03 055 90	aerator	1	60
5	04 30 09 024 00 90	key	1	2